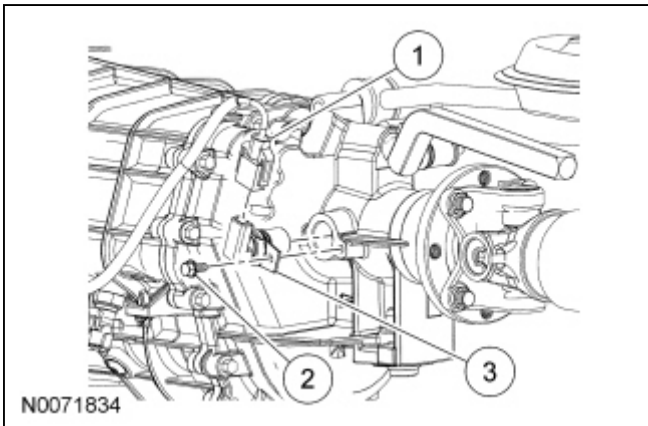


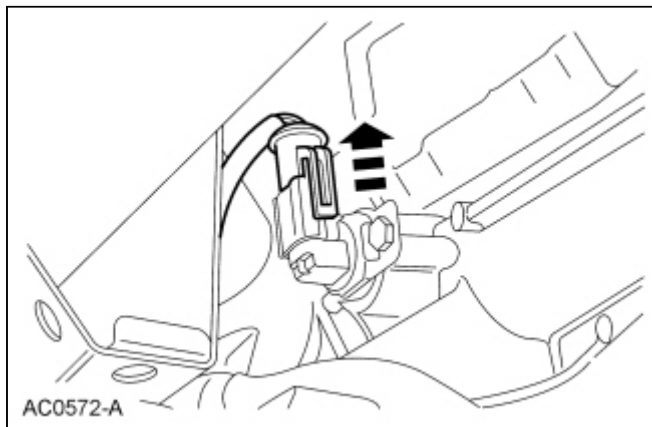
## Output Shaft Speed (OSS) Sensor



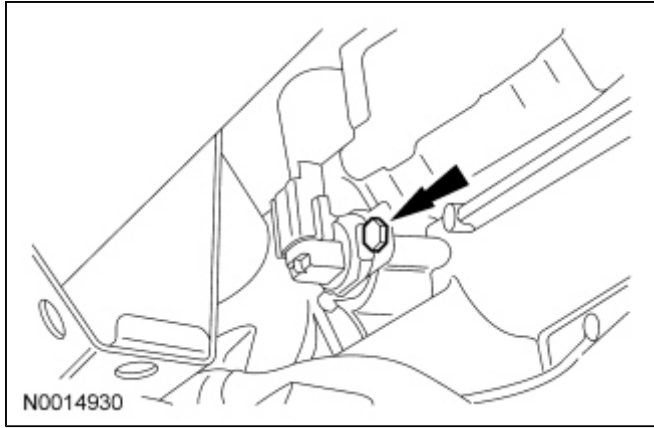
Item	Part Number	Description
1	—	Output Shaft Speed (OSS) sensor electrical connector
2	—	<a href="#">OSS</a> sensor bolt
3	—	<a href="#">OSS</a> sensor

### Removal and Installation

1. With the vehicle in NEUTRAL, position it on a hoist. For additional information, refer to [Section 100-02](#).
2. Disconnect the Output Shaft Speed (OSS) electrical connector.



3. Remove the [OSS](#) sensor bolt, then remove [OSS](#) sensor.
  - To install, tighten to 10 Nm (89 lb-in).



4. To install, reverse the removal procedure.
-